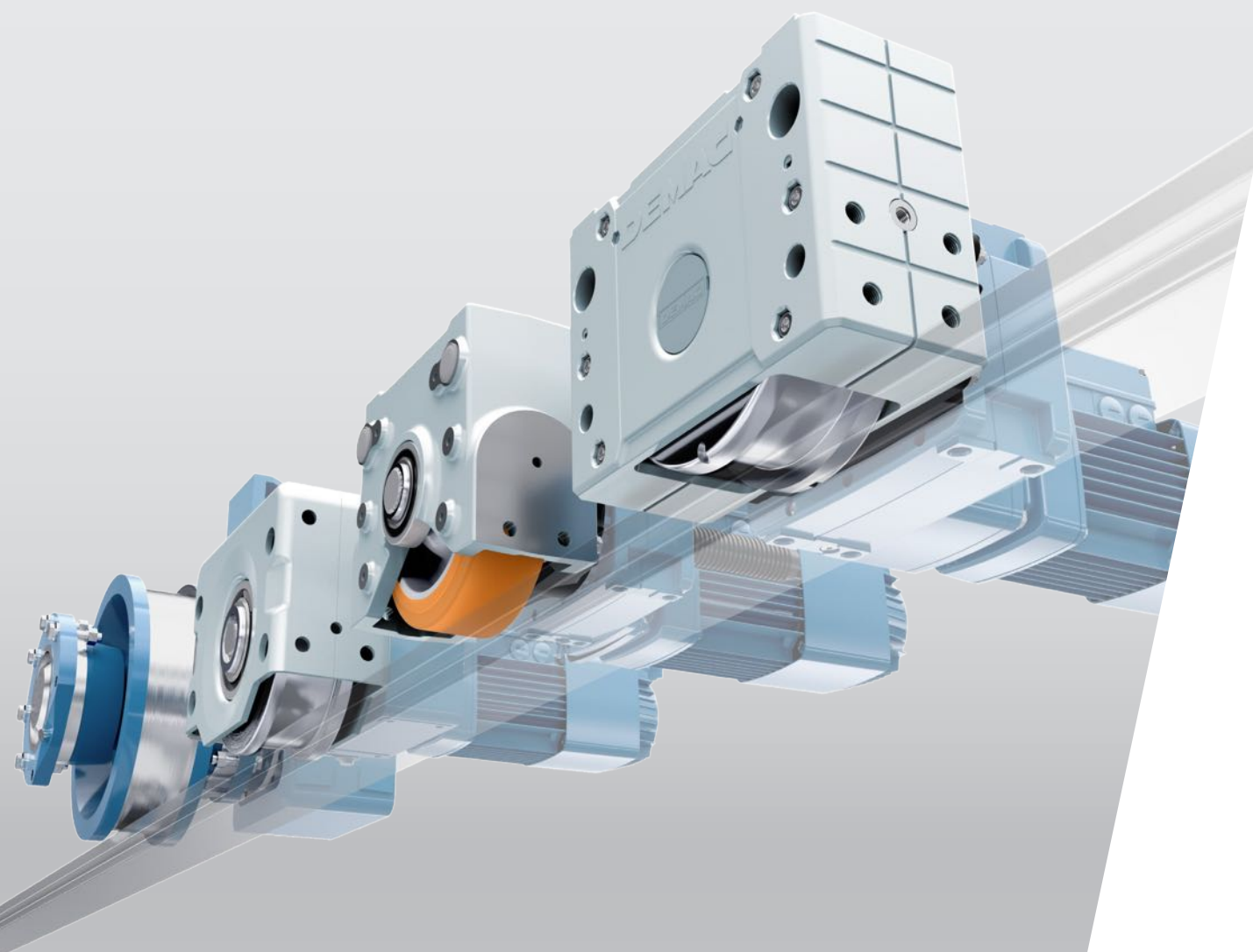


# Reliable series-produced components

Demag wheel range



**DEMAG** .....

# Demag wheel systems

## Reliable solutions for every application



### CONTENTS

### PAGE

Demag DRS-M/DRS wheel block system	6
Demag LRS travel wheel system	14
Demag RS wheel block system	16
Demag DWS wheel set	18

We have been designing and manufacturing modular wheel systems for a wide variety of applications for decades. Our broad range covers wheel loads up to 60 t and offers:

- Simple selection
- Many possible combinations
- Compact dimensions
- Versatile connection options
- Design support by means of CAD files
- Simple assembly and alignment

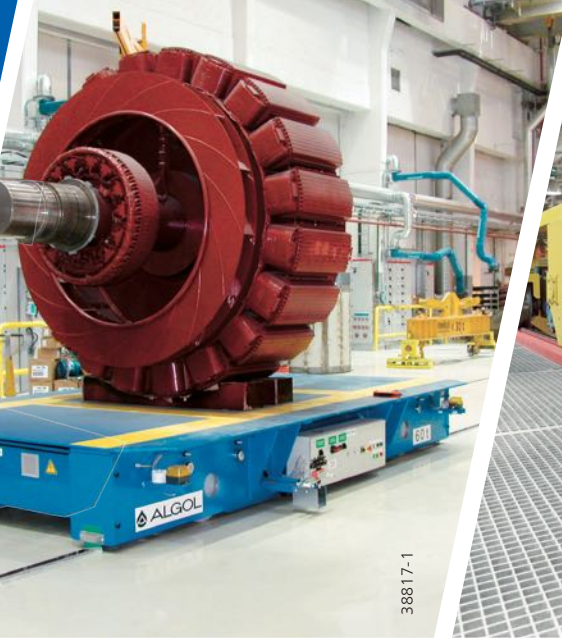
Demag wheel systems are integral components of countless drive solutions that are in operation every day, offering high reliability and a long service life with a minimum maintenance requirement.

### COMPLETE TRAVEL UNITS

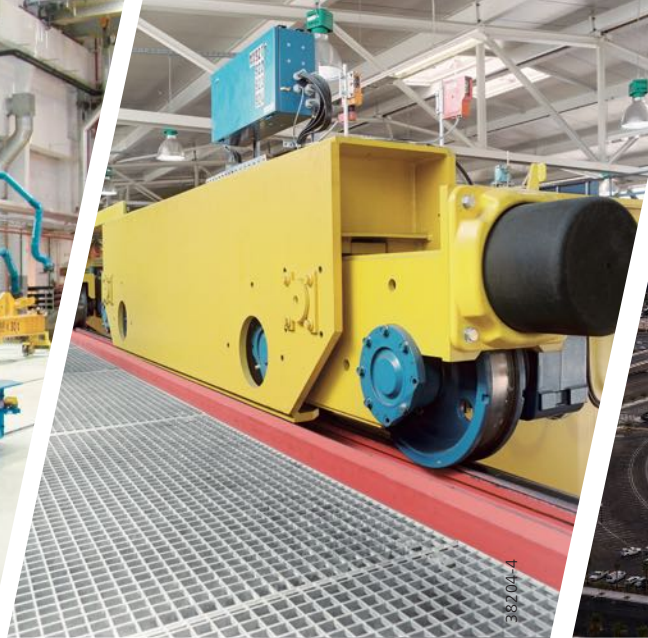
Complete travel units provide decisive advantages for drive applications. All components are perfectly matched and pre-assembled ready for fitting – from the travel wheel, housing and connecting arrangement to the gearbox, motor and frequency inverters for electronically controlled travel motions. Complete travel units give you the certainty of solid planning and a reliable investment. The wide variety of possible combinations from the proven Demag drives product range can offer the right solution for your application needs.

### SOLUTIONS FOR SPECIFIC INDUSTRIES

There is hardly a manufacturing industry in which raw materials, semi-finished products and finished products do not have to be transported, merged, transferred, distributed or assembled. In many applications, special operating conditions and function requirements have to be taken into consideration. Demag wheel systems can meet the demands of any application, making them the first choice for any materials handling situation. If required, wheel blocks can be protected, for example, by special design measures against aggressive media. Or they can be fitted with electronically controlled drives, which enable them to accelerate even more quickly, travel at uniform speeds and position with precision. Demag wheel systems ensure that floor-level travel units and systems can also negotiate tight curves with radii down to 10 m. Demag wheel systems also operate just as well indoors as outdoors.



38817-1



38204-4



42507-2

### COMPREHENSIVE APPLICATION EXPERTISE

With the extensive expertise gained from Demag wheel block applications in installations and systems we have built all over the world, we provide our customers with help and advice for their applications. We offer state-of-the-art selection and design tools as well as calculation programs and can find the right solution to match your application requirements.

### ALL OVER THE WORLD

Wherever your Demag products are used, our regional subsidiaries and partners can guarantee a reliable supply of spare parts and provide expert repairs.



42624

# For standardised and specific applications

## Demag wheel systems: Always the right wheel

### DRS-M / DRS



### LRS



#### DRS-M/DRS WHEEL BLOCK SYSTEMS

These versatile systems provide optimum performance ratios for a maximum load capacity (from 2.75 to 40 t) with compact dimensions. Finely graded sizes can ensure that the right unit is selected for the corresponding application.

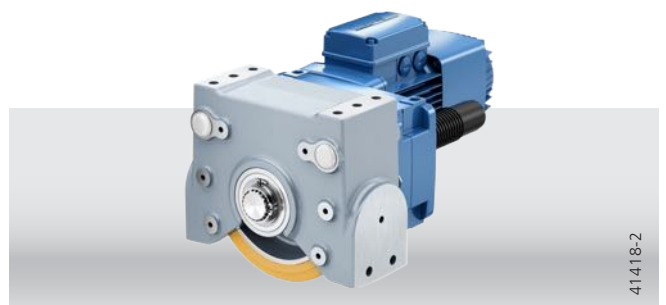
- DRS-M 112 to 200 (load capacity from 2.75 to 10 t)
- DRS 250 to 500 (load capacity from 16 to 40 t)

Besides a wide variety of travel wheel types from our standard range, special designs are also available to meet customer requirements. The housing, which is machined on all sides, can be connected to virtually any customer design. Offset and angular geared motors from our Demag modular system are available for the driven variant as individual or central drive units.

#### LRS TRAVEL WHEEL SYSTEM

A robust, universal travel wheel system for the lower load range up to 6.5 t. Simple project engineering makes it the ideal component for engineers who want to build their own solution for a wide variety of travel applications.

Two standard designs for each size – travel wheel with Hydropur tyre and a spheroidal-graphite cast-iron travel wheel with two flanges – are available pre-assembled from stock and can be supplied in a minimum of time. Standard offset geared motors can be assigned using selection tables for driven solutions.



Demag travel components are of modular design to match perfectly from start to finish, enabling fast and cost-effective standardised and tailored modular solutions to be implemented to meet your individual requirements. Every component used is developed, designed and tested by our specialists for unbeatable operating reliability, continuously optimised and manufactured in large series of first-class quality and with maximum precision.

**RS**



#### **RS WHEEL BLOCK SYSTEM**

The system is suitable for special applications in which a housing made of sheet steel is required, as well as for high-temperature applications (up to 250 °C).

Various (RS 125 to RS 400) sizes can be supplied with load capacities from 3.5 to 18 t.

Various travel wheel designs and means of connection to customer structures make these standard components suitable for a broad range of applications. Demag offset geared motors can be used as drive units.

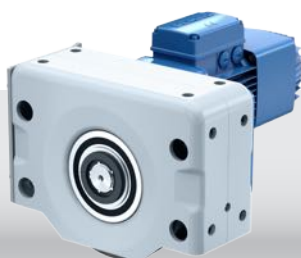
**DWS**



#### **DWS WHEEL SET**

This wheel set is the right choice for high load capacity applications. Sizes can be supplied with travel wheel diameters of 400, 500 and 630 mm with load capacities from 28 to 60 t.

DWS wheel sets are suitable for integration in hollow-profile sections or for corner-bearing arrangements. They can be supplied as driven or non-driven units, with Demag offset or angular geared motors being used as the drive.



41933-1



41394-1-1

# Versatility & high performance

## Demag DRS-M/DRS wheel block systems

Demag DRS-M and DRS wheel block systems offer outstanding benefits from project engineering to commissioning of your installation. Wheel blocks are excellent solutions for a wide variety of applications.

They also provide particularly high performance, i.e. maximum load capacity with reference to the travel wheel diameter.

### PROTECTED TRAVEL WHEELS

- The housing, enclosed on five sides, protects the travel wheels from any external mechanical influences.
- Housing made of high-quality, corrosion-resistant, die-cast aluminium with a powder coating up to 90 µm thick for sizes DRS 112 to DRS 200.
- High-strength spheroidal-graphite cast iron with a RAL 7001 finishing coat from size DRS 250.
- Any housing openings that are not required can be closed with plugs included in the delivery.

### WHEEL VARIANTS

- Wheels are available in various shapes and designs, such as:
  - Spheroidal-graphite cast iron
  - Polyamide
  - Hydropur tyres

### SIMPLE WHEEL REPLACEMENT

- DRS-M 112 - 200: The complete wheel block can be changed quickly and easily.
  - An innovative installation connection enables wheel blocks to be replaced quickly without the need for time-consuming readjustment.
  - This fixed alignment element can be attached to the steelwork and ensures that the wheel block remains precisely positioned even after it is replaced.
- DRS 250 - 500:
  - Asymmetrical housing eliminates the need for removal and realignment of top-mounted units when travel wheels have to be replaced.
  - The housing remains connected to the installation.
  - This job can be completed using conventional tools.



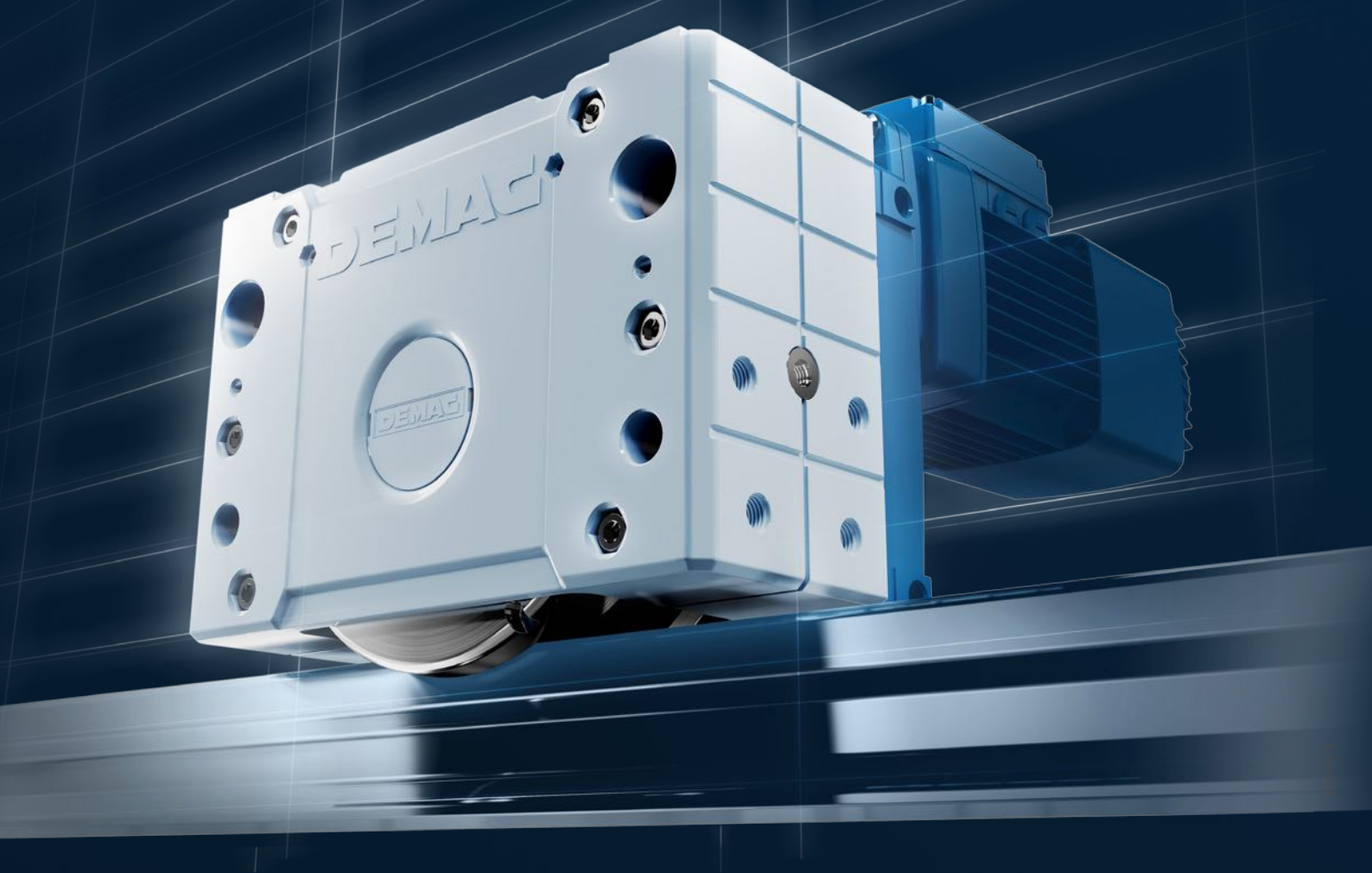
Guide rollers on DRS-M



DRS-M sizes 112, 125, 160 and 200



Symmetrical housing design of the DRS-M with prepared threaded bore holes



#### EASY TO INSTALL AND RIGID DESIGN

- Designed for simple connection to superstructures with starting and braking characteristics that are gentle on the runway.
- Tight housing design and position tolerances.
- Accurate dimensions in all planes.
- Special stiffeners for high rigidity.

#### PRECISE ALIGNMENT

- Laser system for simple alignment of wheel blocks.
- Prepared brackets on the housing of all sizes from DRS-M 112 to DRS 500 enable wheel blocks to be aligned with each other quickly and precisely on multiple trolleys
- Fixed alignment for precise installation when DRS-M 112 - 200 units are replaced.

#### LOW-MAINTENANCE BEARINGS

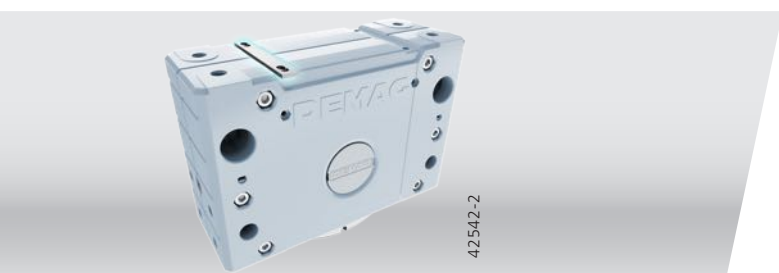
- Generously dimensioned grooved ball bearings which are lubricated for life, tapered roller bearings from size DRS 250.
- Optimum mechanical protection thanks to bearings arranged inside the housing.

#### HIGH GROUND CLEARANCE

- High ground clearance thanks to compact design.
- Complete drive units with gearbox concept designed to match the wheel load.

#### MANY DESIGN SOLUTIONS

- Fixed alignment
- Torque bracket
- Travel wheel bearings
- Travel wheel hub connection
- Mechanical wear measurement (DRS-M)



Fixed alignment for DRS-M

# Modular system for tailor-made solutions

Demag DRS-M/DRS wheel block systems can meet all your needs with their wide variety of perfectly matched components. Demag DRS-M and DRS wheel blocks can be matched to many different types of travel rail and operating conditions with travel wheels from a wide range of standard designs or with specially developed travel wheel shapes – as cost-effective units ready for installation.

## TRAVEL WHEEL VARIANTS AND MATERIALS

With effective vibration-damping characteristics, the spheroidal-graphite cast-iron (EN GJS-700) travel wheels guarantee high-speed operation which is particularly gentle on the rail. The self-lubricating effect of the wheel material reduces friction and provides high resistance to wear. These properties make spheroidal-graphite cast-iron travel wheels far superior to conventional steel travel wheels.



Ground clearance of the drive unit

Also available are polyamide travel wheels without flanges, which offer particularly smooth and quiet running properties and are gentle on the runway. Flangeless travel wheels fitted with Hydropur tyres, which also provide smooth operation at high acceleration rates, complete the range of materials used for our travel wheels.



Travel wheels guided by flanges on both sides, with generous wear reserves for common rail systems or with a tread to your specifications.



Travel wheels for guided applications in vertical and horizontal planes of prismatic or trapezoidal design or with a concave tread.



Travel wheels without flanges, if required with guide rollers for rigidly guided systems.



Flangeless travel wheels with a Hydropur tyre for high acceleration and smooth operation.



Travel wheels guided by a flange on one side for units running at floor level, also with a central flange for special requirements

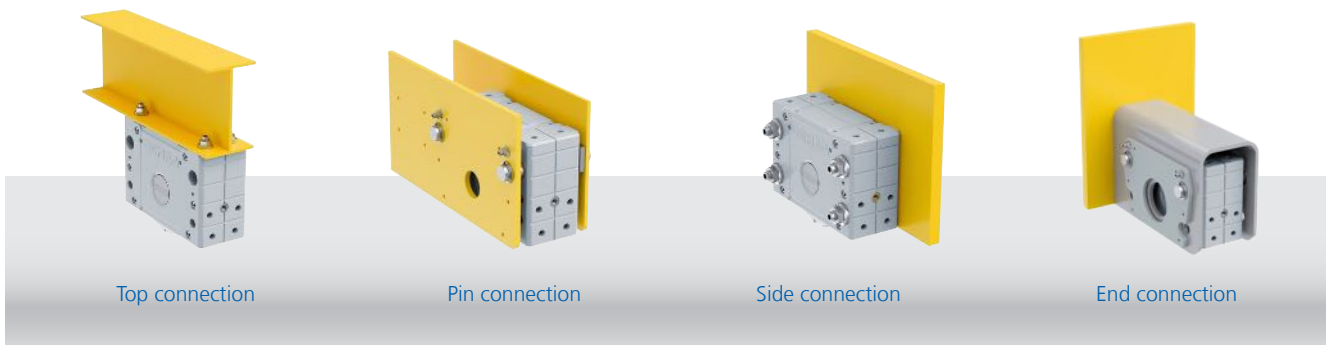


Polyamide travel wheels without a flange for quiet running and gentle on the runway.



Large diameter travel wheels without a flange for increased ground clearance.

42487

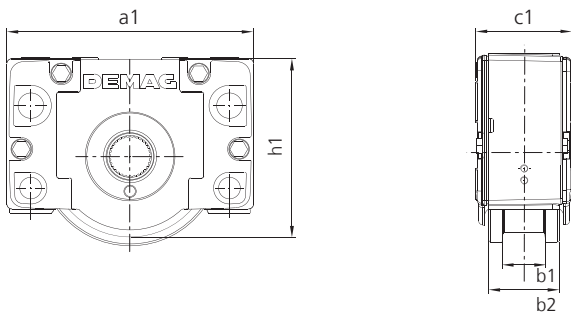


### CONNECTION VARIANTS

Prepared mounting surfaces facilitate virtually any connection arrangement – ranging from top and end connection arrangements with bolted and welded connection elements, to side and pin connection arrangements for installation in hollow profile sections and crossbeams. Top, end and pin connection arrangements make it possible to move and align the wheel blocks laterally even after they have been fitted.

### GUIDE ARRANGEMENT VARIANTS

Tailored solutions are also available for guiding wheel blocks. Flange-guided travel wheels and wheels with prism-shaped or concave treads for round cross-section rails provide exact vertical and horizontal guide arrangements. If strong horizontal forces need to be reliably absorbed, infinitely adjustable guide rollers with a positive connection should be used.



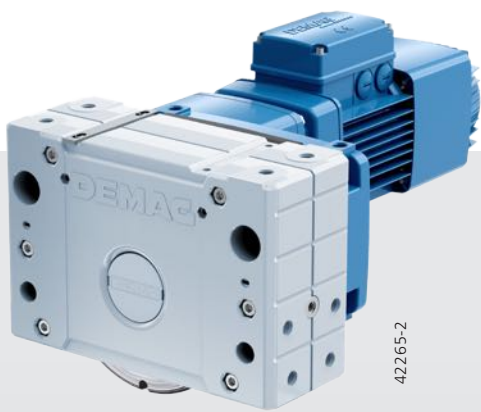
### OPTIONS AND ACCESSORIES

Thanks to integrated threaded boreholes, optional accessories such as guide rollers or rail sweepers can be installed direct on the wheel block – or simply added later, as required.

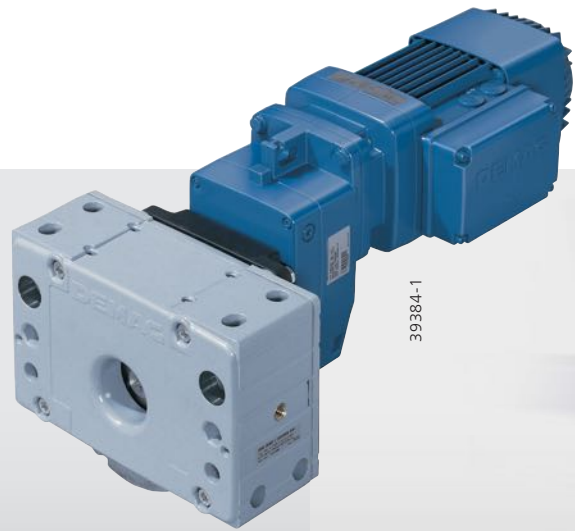
### TECHNICAL DATA

Size	Max. load capacity [t]	Travel wheel diameter [mm]	Weight [kg]	Dimensions [mm]				
				a1	b1	b2	c1	h1
DRS-M 112	2.75	112	7.3	190	47	80	96	131
DRS-M 125	5	125	9.9	220	60	80	98	147.5
DRS-M 160	7	160	18.3	275	65	89	110	187
DRS-M 200	10	200	35.7	340	65	101	130	238
DRS 250	16	250	62	385	75	110	150	281
DRS 315	22	315	117	470	90	130	180	349.5
DRS 400	30	400	201	580	110	155	210	440
DRS 500	40	500	352	700	110	170	240	566

(DRS-M/DRS spheroidal-graphite cast-iron travel wheel with two flanges)



42265-2



39384-1



42433-2



42593

# The right drive

## – precisely matched to the Demag wheel range

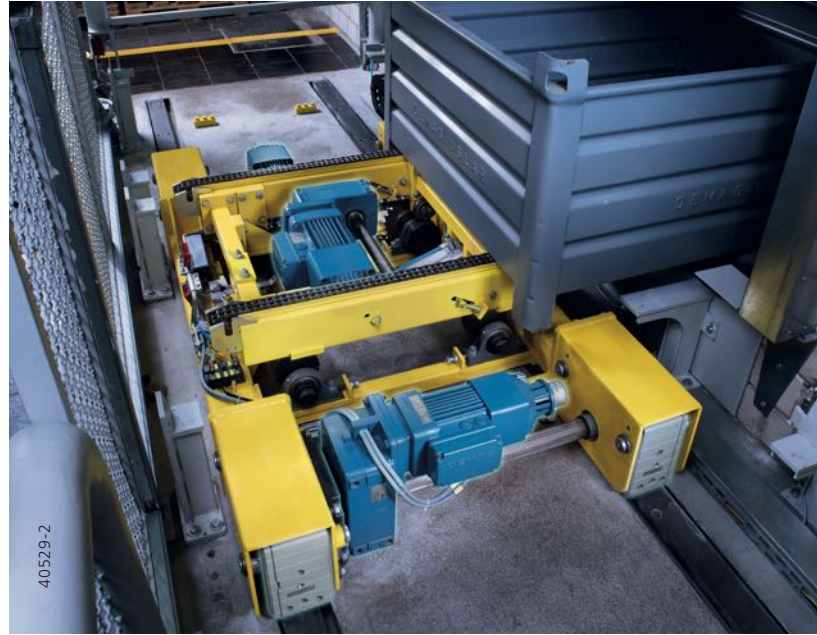
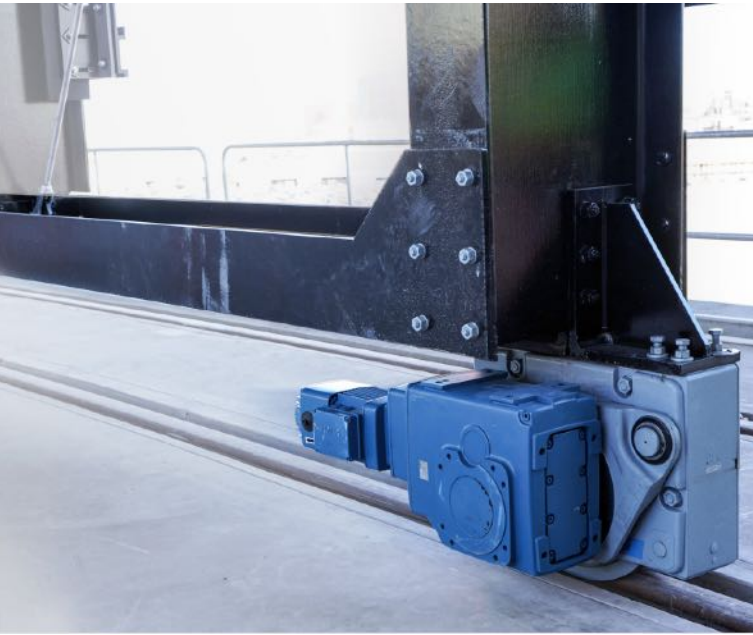
Demag drive system components consisting of motors and gearboxes as well as inverters for particularly smooth and precise acceleration, braking and positioning are precisely matched to the Demag wheel range. The perfect combination of all components turns installations into efficient systems.

The direct drive input with a cylindrical-rotor motor and an additional flywheel variant is characterised by a shallow torque curve. The additional flywheel, arranged close to the offset or angular gearbox, also provides an optimum centre of gravity for the drive.

The coupling connection variant has the advantage that it can also be driven by our high-performance KB conical-rotor brake motors with their high starting frequency and braking capacity, for example for very demanding stopping and starting applications.

Drives can also be designed with one motor to drive two wheel blocks. These central drive arrangements guarantee absolute synchronous operation of pairs of wheel blocks.

In combination with the relevant torque bracket, the integrated torque ring cast into the housing cover of our offset gearboxes makes it possible to fix the drive in various positions relative to DRS-M/DRS wheel blocks – in 15° steps to provide an optimum fit of the drive to the connecting structure.



Furthermore, the patented torque bracket enables torque to be transmitted from the geared motor to the wheel block without any radial force. This reduces the load on the drive shaft and extends its service life.

In addition to special Demag travel motors for line-fed operation – also available as pole-changing units for two speeds – we offer standard drive motors with frequency inverters for electronically controlled operation, e.g. for exact positioning at low speeds.

There are two frequency inverter ranges: Dedrive Compact STO for motor outputs up to 110 kW and Dedrive Pro for motor outputs up to 560 kW. Demag FG microspeed drives provide outstanding characteristics if a wide ratio is required between the “positioning speed” and “fast speed”. They can be used to achieve transmission ratios of up to 500:1 with line-fed drives without the need for an inverter.





# Drive Designer online

## Simple project engineering

You can obtain optimum online support for your project engineering and design work at [www.demag-drivenedesigner.com](http://www.demag-drivenedesigner.com). Drive Designer facilitates rapid access to technical data and drawings of Demag wheel blocks and geared motors via the Internet. Use it as a configurator, for project engineering support and for enquiries.

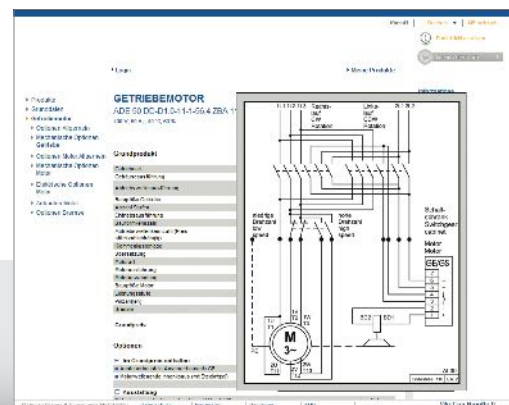
Selection of the required wheel blocks is usually based on the planned load capacity. The speed at which a particular mass needs to be transported is also a key factor.

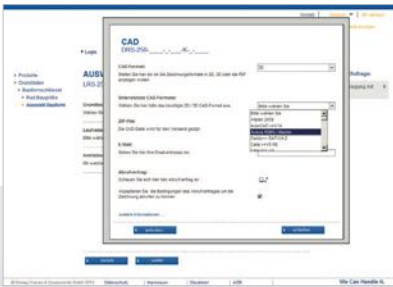
The corresponding components can be specified by entering the known parameters, such as the temperature range, cycle times, rail type and materials. The result is a complete, distinct type code. Any required options can also be selected. A data sheet shows all relevant technical data.

You can generate the corresponding dimension diagrams and product geometry details in the usual CAD formats for the selected combinations. Circuit diagrams show the electric connections for the motor.

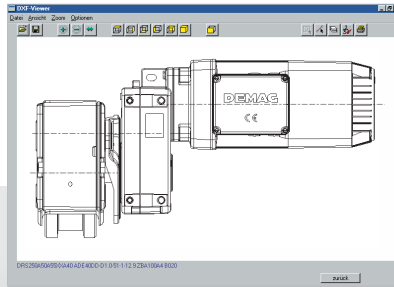
### FURTHER DETAILS

- In addition to the configuration of complete 4-wheel carriages, travel units consisting of one, two, four or more wheel blocks can be individually designed and configured.
- Both offset gearboxes and angular gearboxes can be selected.
- When the configuration has been specified, the wheel blocks can be ordered direct in Demag Shop at [www.demag-shop.com](http://www.demag-shop.com).

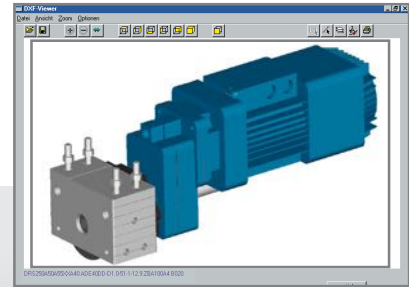




Selection of various CAD formats



Individual 2D CAD files



3D product geometries

### CALCULATE THE RIGHT DRIVE WITH CALDRIVE

The required output, loads and speeds need to be entered into Drive Designer to select travel units. Alternatively, the travel unit can be selected on the basis of the complete mounting code.

CalDrive calculation software is used to determine the required drive data from the specified physical characteristics.

The basic characteristics and data of Demag geared motors and wheel blocks are included in CalDrive. Drives for travel and lifting applications, as well as for roller, chain or belt conveyors can be specified with ease. The program suggests solutions for the combination of our offset, angular and helical gearboxes with cylindrical or conical-rotor motors. You can also determine solutions for line-fed or frequency inverter systems. Besides the technical data, you are also shown acceleration and deceleration values in the result.



# Universal solutions for loads up to 6.5 t

## Demag LRS travel wheel system

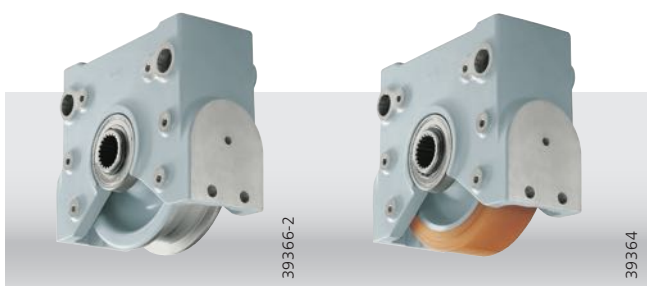
The Demag LRS travel wheel system is a rugged system suitable for universal applications. It is the solution for travel applications with wheel loads weighing up to 6.5 t (at 100 m/min) and travel speeds up to 240 m/min.

### RUGGED AND MAINTENANCE-FREE

The LRS system requires virtually no maintenance and is suitable for operation at ambient temperatures from -10 °C to +40 °C. The five precisely machined connecting surfaces of the extremely rugged spheroidal-graphite cast-iron housing block offer a wide range of connection variants. It is fitted with top-connection bolts as standard. The LRS travel wheel system is available in two designs:

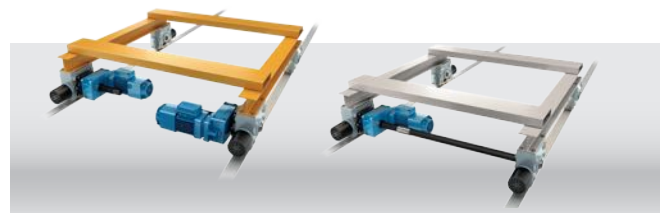
- **LRS...A** with a spheroidal-graphite cast-iron travel wheel and two flanges with high load capacity and good rolling and damping characteristics
- **LRS...F** as a travel wheel with a Hydropur tyre for very good traction and quiet running characteristics

Also available as optional accessories: a pin connection set, a buffer set, horizontal guide roller arrangement and central drive unit set for track gauges of 1,500 mm and 2,900 mm.



### DRIVE

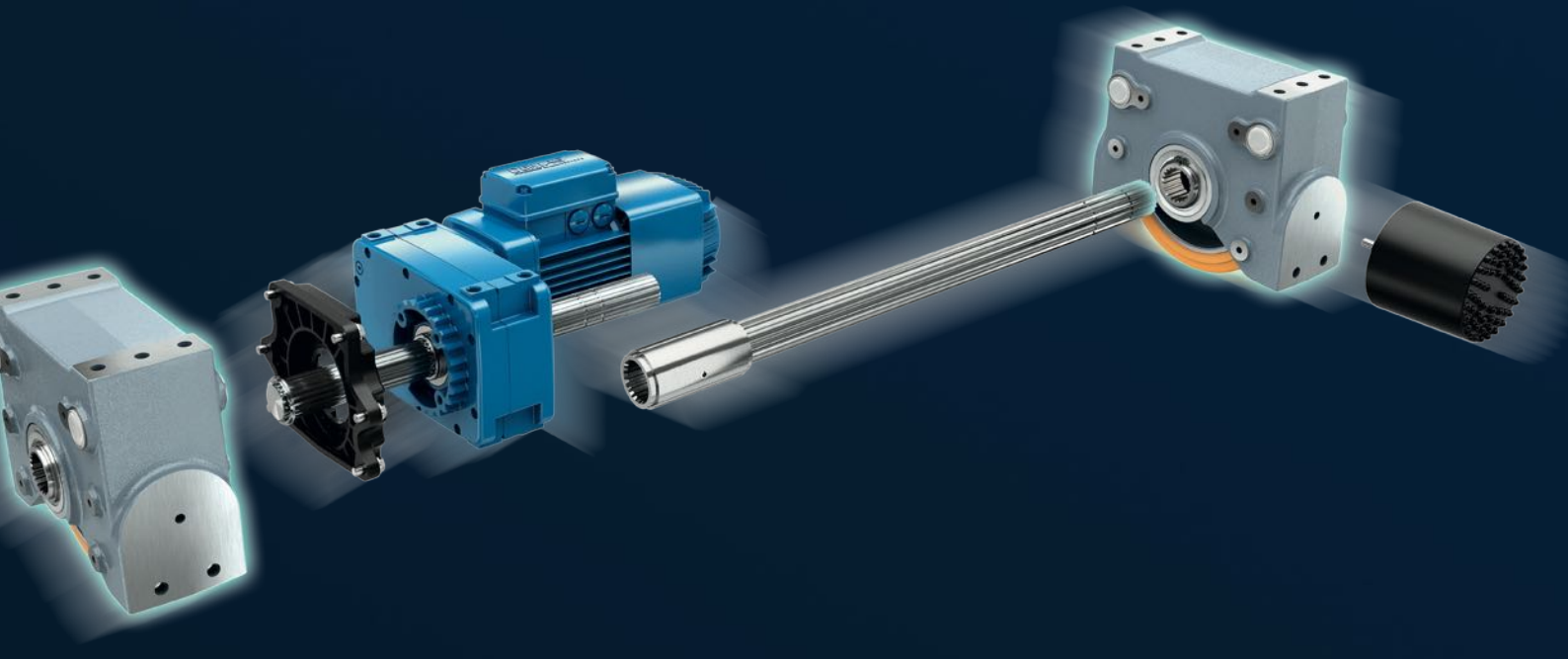
Demag offset and angular geared motors are ideally suited as travel drives for the Demag LRS travel wheel system. The gearbox is connected to the LRS system with a hollow shaft featuring involute splines (to DIN 5480) by means of a shaft system and a matching torque bracket.



Four-wheel trolley fitted with two individual drive units

Four-wheel trolley with central drive unit

Various gearbox sizes are available with corresponding travel motors depending on the load to be moved and the required speed. Pole-changing geared travel motors can be selected from tables for line-fed operation (400 V, 50 Hz).



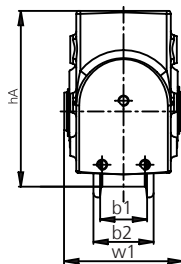
### FROM CAD MODEL TO CONVENIENT ONLINE ORDER

Visit our online configuration tool at [www.drives.demag-designer.com](http://www.drives.demag-designer.com) for 2D and 3D CAD files in various formats and use them for simple integration of the selected LRS components into your design.

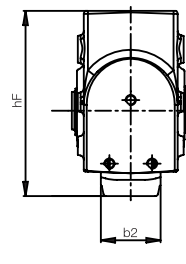
In the Demag Shop system, you can either reserve or order the required component parts direct, specifying the shipping method as well as the required delivery date. When you have ordered components, we will immediately advise you of our order number and the calculated delivery date.



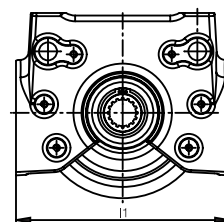
39886-10



LRS...A



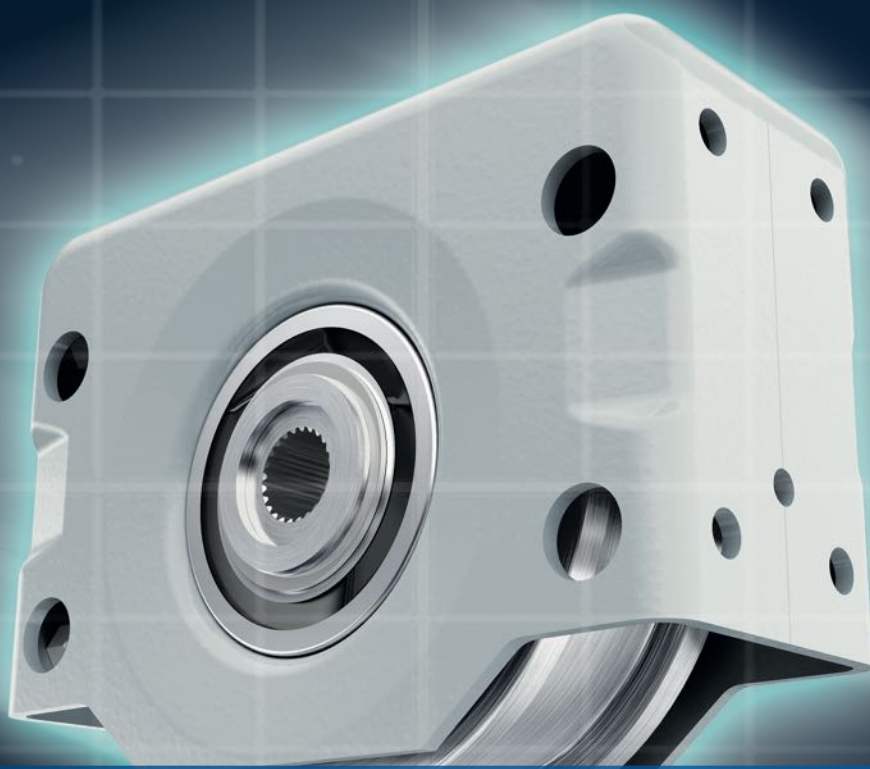
LRS...F



### TECHNICAL DATA

Size	Travel wheel	Max. load capacity [t]	Wheel dia. [mm]	Weight [kg]	[mm]					
					l1	w1	hA	hF	b1	b2
LRS 200	A	2.5	175	15.3	250	135	204.5	242	52	70
	F	1.2	200	15.1					-	70
LRS 250	A	3.5	220	27.6	306	156	255	270	55	80
	F	1.7	250	26.7					-	80
LRS 350	A	6.5	315	63.0	450	200	359.5	367	65	95
	F	3	350	65.0					-	110

A = travel wheel made of spheroidal-graphite cast iron with flange, F = travel wheel Hydropur tyre



42616

# Special applications

## Demag RS wheel block system

The Demag RS wheel block system consists of a housing welded together from two sheet steel halves with an integrated travel wheel. It can be attached to customer structures with ease using its prepared connecting surfaces. The varied connection options also make it simple to add it to existing installations at a later date.

### MAIN RS FEATURES

- Load-bearing block enclosed on 5 sides with connecting surfaces featuring multiple bore holes
- Reamed lateral bore holes for the pin connection
- Integrated connections for torque brackets, guide roller arrangements and buffers
- Steel housing primed and finished with a top coat in RAL 7001
- Long service life of the steel and mechanical elements
- Rapid installation and removal for all connection variants
- Wide variety of standard travel wheel designs

### FOR PARTICULARLY TOUGH APPLICATIONS

The special designs for high temperature applications up to 150 °C or with furnace carriage bearings up to 250 °C are a special feature of the RS wheel block system.

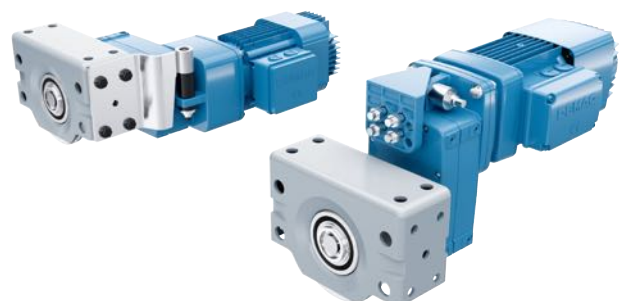
### DRIVE

The gearbox has a hollow shaft featuring involute splines on the output side. The positive connection to the travel wheel shaft guarantees reliable torque transmission. This is particularly important for reversing and intermittent operation.

The Demag modular system includes the D1 torque bracket (fitted direct to the wheel block) or D2 torque bracket (fitted to the customer's support superstructure) to accommodate the torque transmitted by the drive.

### COMPLETE TRAVEL UNIT

With D1 torque bracket



With D2 torque bracket

## CONNECTION VARIANTS



Top connection



Side connection



Pin connection

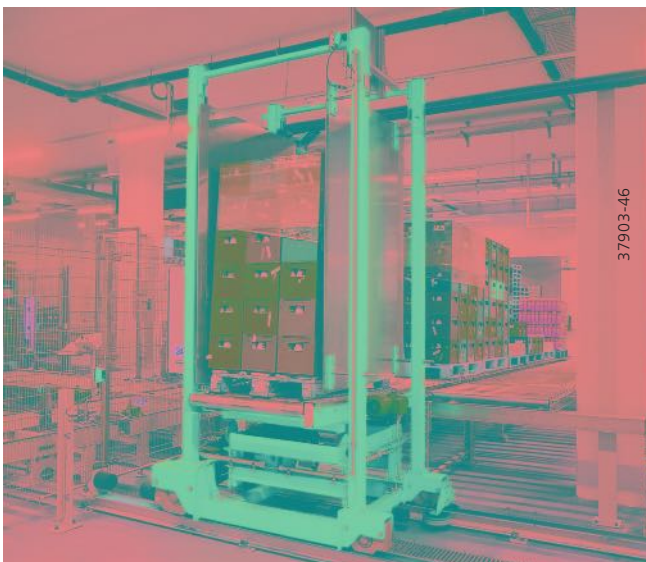
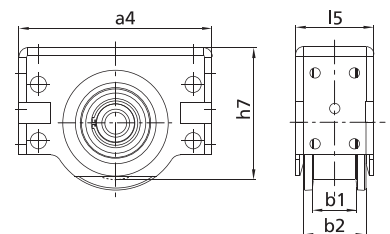


End connection



## TECHNICAL DATA

Size	Max. load capacity [t]	Wheel dia. [mm]	Weight [kg]	[mm]					
				a4	l5	h7	b1	b2	
RS 125	3.5	125	8.0	220	98	148	60	68	
RS 160	5	160	15	275	110	187	60	75	
RS 250	9	250	40	385	150	281	65	100	
RS 315	12	315	65	470	180	350	65	110	
RS 400	18	400	153	580	210	440	80	140	



# The solution for heavy loads

## Demag DWS wheel set

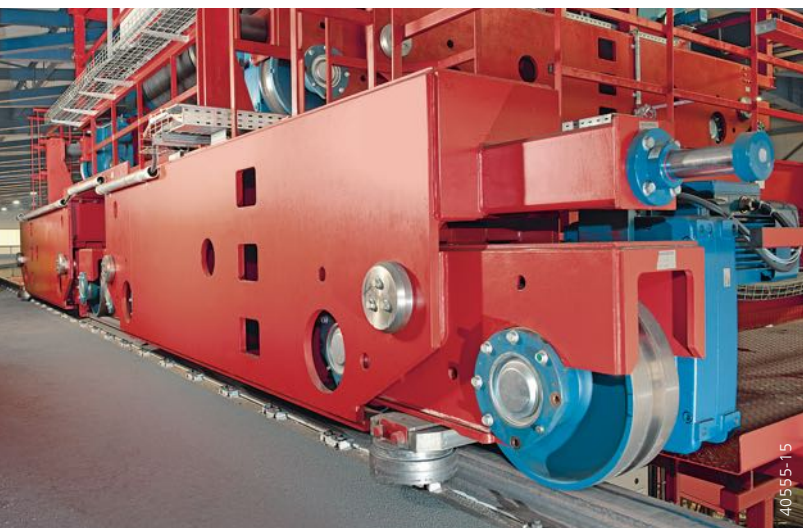
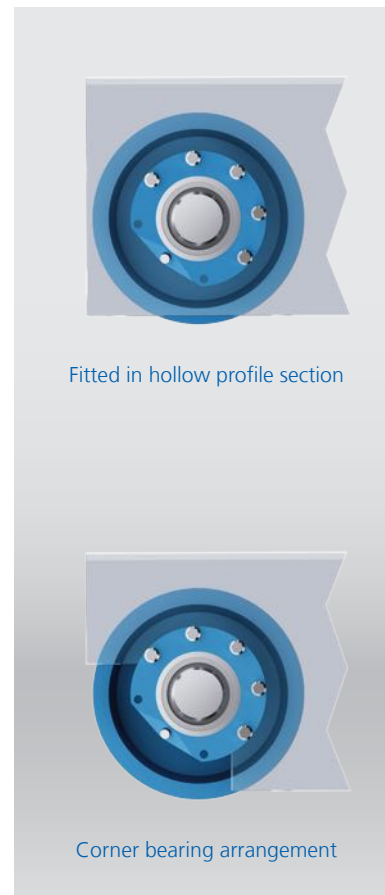
Demag travel units are also used for rail-guided travel applications for heavy loads.

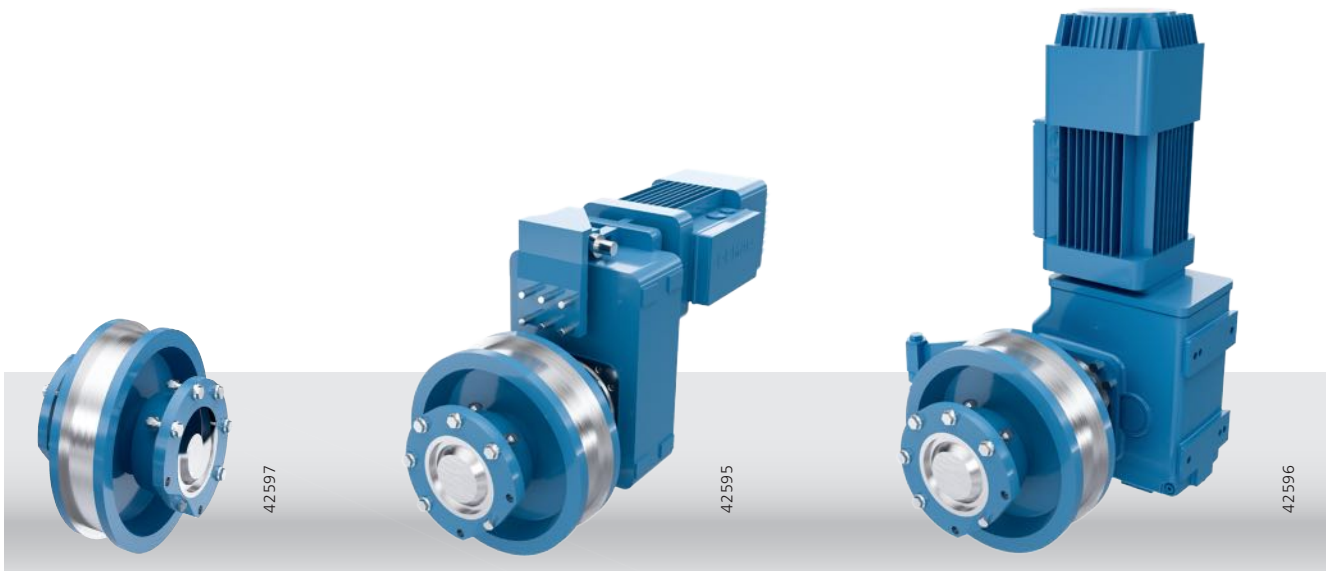
DWS wheel sets are offered as driven and non-driven types to provide complete travel units. Demag offset or angular geared motors are used as drive units.

The use of these proven series-manufactured components offers a high level of operating reliability and guarantees interchangeability if the wheel is replaced. Owing to their versatility, DWS wheel sets are not only used in the crane and materials handling sector, but also for related mechanical engineering solutions.

The wheel sets can be installed in hollow profile sections and box girder sections and as corner bearing units.

Corner bearing arrangements offer the advantage of installing a pre-assembled wheel set in a travel unit without the need for extensive alignment. The unit can be rapidly replaced without the need for any alignment work, which ensures a high level of availability.





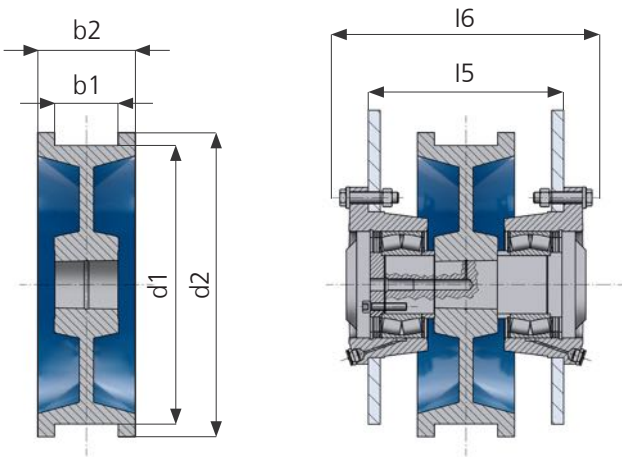
## DRIVE

Demag AUK/ADK offset geared motors or WUK angular geared motors with Z motors with direct drive input or with a coupling connection with KB motors are used as the drives.

The D2 or Arm 2 torque bracket is also fitted to the supporting structure to form a complete solution with the motor and gearbox.

## DESIGN FEATURES

- Simple track gauge adjustment thanks to interchangeable distance washers between the anti-friction bearings and retaining rings
- Rapid installation and removal of the travel wheel from the travel unit using conventional tools
- Long service life thanks to standard re-lubrication facility
- Driven design matched to Demag offset or angular geared motors
- Guide flange wear indicator
- Flange bearings provided with recesses to attach extractors

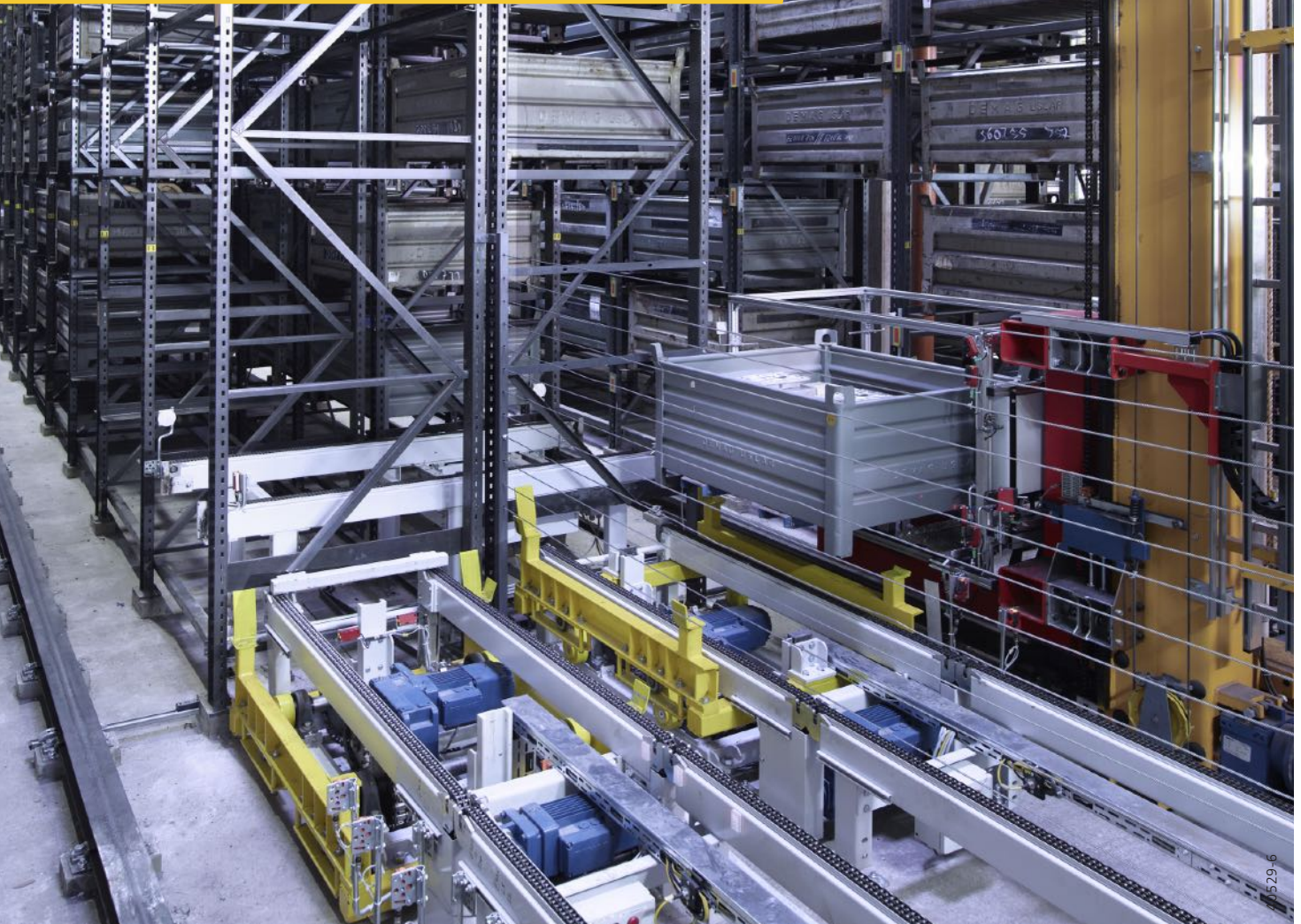


## TECHNICAL DATA

Size	Max. load capacity [t]	Wheel dia. d1 [mm]	Weight [kg]	[mm]					
				l5	l6	d2	b1*	b2	
DWS 400	28	400	105	280	362	437	80	125	
							90	140	
DWS 500	40	500	142	320	402	537	90	140	
							110	170	
DWS 630	60	630	310	350	456	680	75	140	
							110	170	

\* Other treads on request

# Drives – keeping your business on the move



0522 EN 208 722 44 701 IS 845  
Subject to change. No liability for errors or omissions.  
Printed in Germany D18052022 / PDF

## DEMAG CRANES & COMPONENTS GMBH

Wetter Site

Ruhrstrasse 28

58300 Wetter, Germany

E [info@demagcranes.com](mailto:info@demagcranes.com)

T +49 2335 92-0

F +49 2335 92-7676

[www.demagcranes.com](http://www.demagcranes.com)

# DEMAG